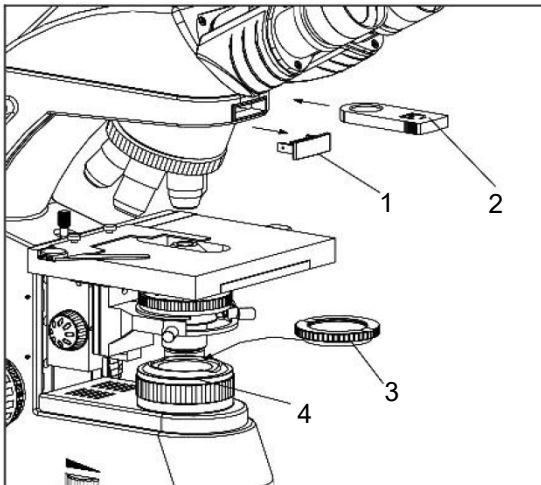




**ACCU-SCOPE®**

## Simple Polarizer and Analyzer Installation Instructions for the 3000-LED Series, EXC-350 Series & EXC-360 Series

**Figure 1**



Simple polarizing includes the analyzer ② and the polarizer ③.

**NOTE:** Use of polarizer/analyzer for the 3000-LED requires the field iris upgrade CAT# 00-2348.

### **INSTALLATION: EXC-350 Series**

Unplug the analyzer dust cap from the arm ① and insert the analyzer face up.

Place the polarizer in the groove on top of the field iris diaphragm (EXC-350) as shown.

Rotation of the field iris diaphragm ④ will change the orthogonal status of polarization.

**NOTE:** When the image is darkest as you viewed through the eyepieces, polarization has been achieved.

**Figure 2**



### **INSTALLATION: 3000-LED Series & EXC-360 SERIES**

Remove the viewing head if it is attached to the microscope; the dovetail is now exposed (Fig.2)

Insert the analyzer (the smaller diameter portion facing downwards) into the dovetail.

Turn on the illumination and rotate the nosepiece until the 40x objective is in the viewing position.

**Figure 3**



While looking downwards through the analyzer and 40x objective, rotate the analyzer until the field of view is at its darkest illumination. This will usually occur when the white dot on the analyzer is at the position shown in Figure 3.

Re-attach the viewing head and re-align.